

basselements

PROTECTIVE SAFETY SHIELDS & PARTITIONS



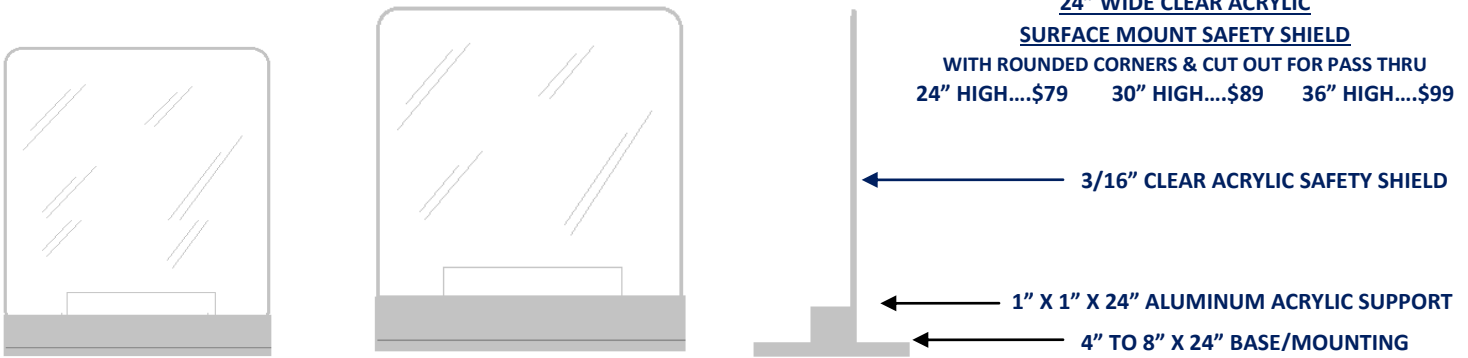
ENHANCING COMMUNITY & EMPLOYEE SAFETY

MADE IN AMERICA

786-360-5863 sales@bassgds.com bassgds.com

PROTECTIVE SAFETY SHIELDS & PARTITIONS

SURFACE MOUNT COUNTERTOP/DESKTOP SAFETY SHIELDS



24" WIDE CLEAR ACRYLIC

SURFACE MOUNT SAFETY SHIELD

WITH ROUNDED CORNERS & CUT OUT FOR PASS THRU
 24" HIGH....\$79 30" HIGH....\$89 36" HIGH....\$99

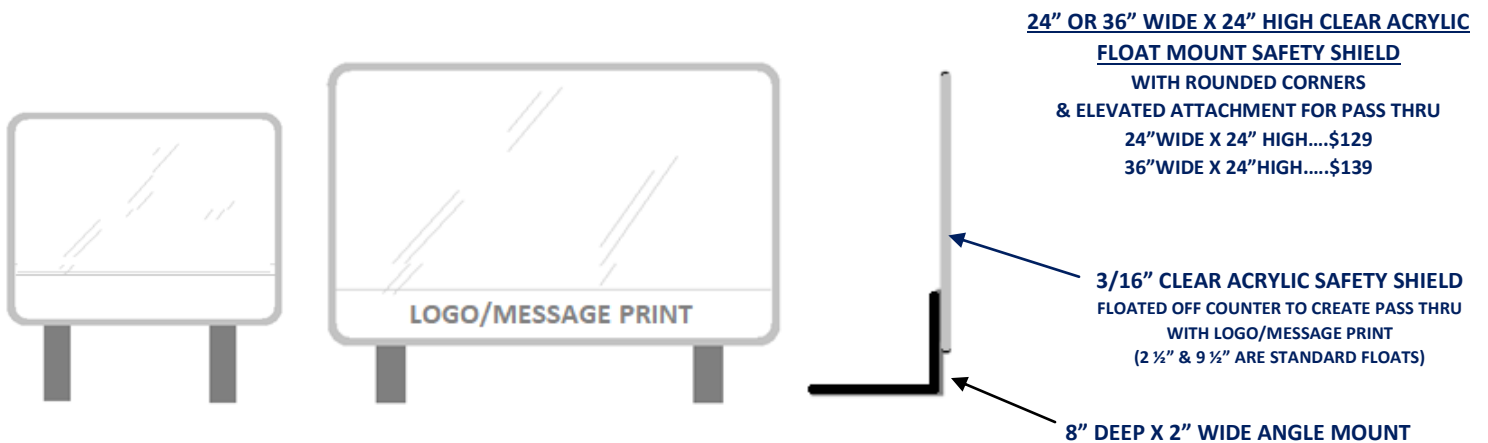
← 3/16" CLEAR ACRYLIC SAFETY SHIELD

← 1" X 1" X 24" ALUMINUM ACRYLIC SUPPORT

← 4" TO 8" X 24" BASE/MOUNTING

DOUBLE SIDED TAPE FOR ATTACHMENT INCLUDED/CAN FREESTAND/ OTHER SIZES ON REQUEST

FLOAT MOUNT COUNTERTOP/DESKTOP SAFETY SHIELDS



24" OR 36" WIDE X 24" HIGH CLEAR ACRYLIC

FLOAT MOUNT SAFETY SHIELD

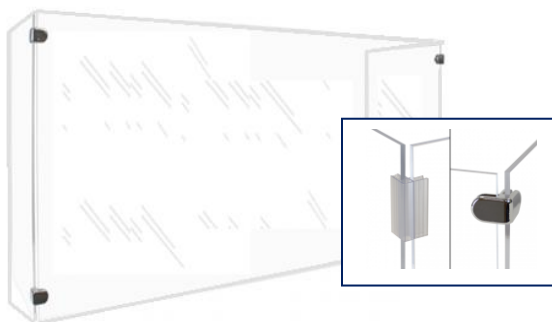
WITH ROUNDED CORNERS
 & ELEVATED ATTACHMENT FOR PASS THRU
 24"WIDE X 24" HIGH....\$129
 36"WIDE X 24"HIGH.....\$139

← 3/16" CLEAR ACRYLIC SAFETY SHIELD
 FLOATED OFF COUNTER TO CREATE PASS THRU
 WITH LOGO/MESSAGE PRINT
 (2 1/2" & 9 1/2" ARE STANDARD FLOATS)

← 8" DEEP X 2" WIDE ANGLE MOUNT

DOUBLE SIDED TAPE FOR ATTACHMENT INCLUDED/OTHER SIZES ON REQUEST

COUNTERTOP/DESKTOP SAFETY SHIELD STATIONS



90 DEGREE U-SHAPED SAFETY STATION
 CLEAR OR METAL CORNER CONNECTOR
 32" WIDE X 30" HIGH X 12" DEEP.....\$129



MULTI-DEGREE ANGLED SAFETY STATION
 CLEAR PLASTIC HINGE
 32" WIDE X 30" HIGH X 12" DEEP.....\$129

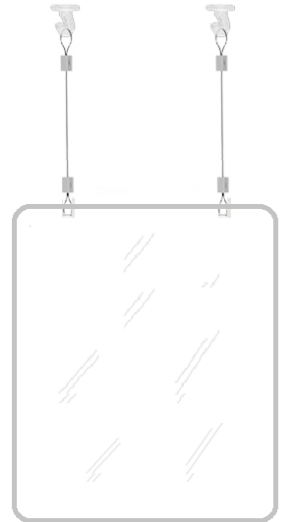
PASS THRU CUT-OUTS AS REQUIRED
 OTHER SIZES UPON REQUEST

PROTECTIVE SAFETY SHIELDS & PARTITIONS

HANGING SAFETY SHIELDS & PARTITIONS

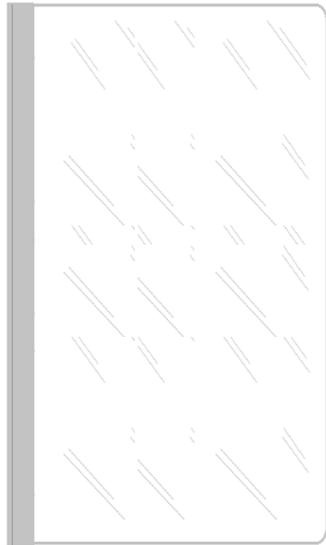


**3/16" CLEAR ACRYLIC
HANGING SAFETY SHIELD**
 24" X 24"\$ 69
 36" X 24"\$ 89
 30" X 36"\$ 99
 36" X 36"\$119
 48" X 36"\$149
 OTHER SIZES ON REQUEST

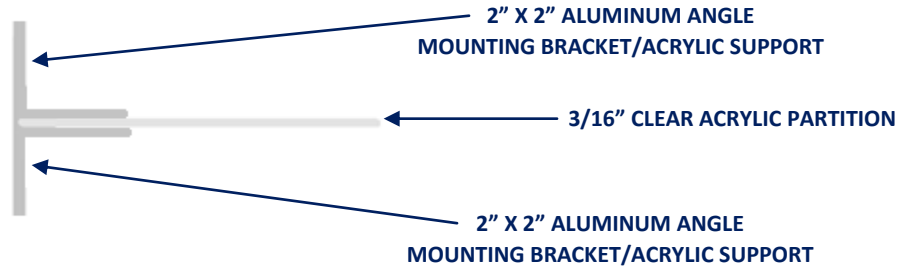


CHAIN OR ADJUSTABLE CABLE ASSEMBLY SET & 2 HINGED HOOKS (FOR DROP CEILINGS) INCLUDED
 OTHER SIZES ON REQUEST

PROJECTION MOUNT SAFETY SHIELD PARTITIONS



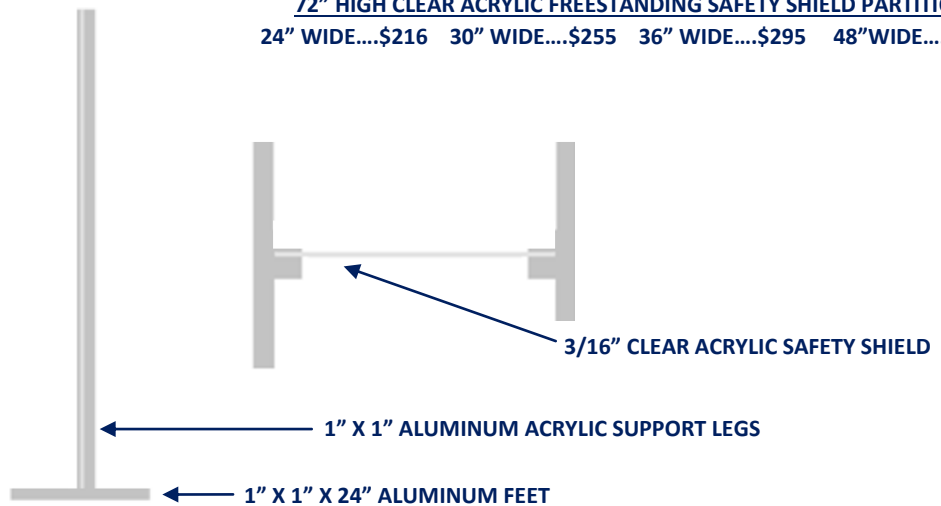
**60" HIGH CLEAR ACRYLIC SAFETY SHIELD PARTITION
WITH ROUNDED CORNERS**
 24" WIDE....\$167 30" WIDE....\$198 36" WIDE....\$230



FREESTANDING SAFETY SHIELD PARTITIONS

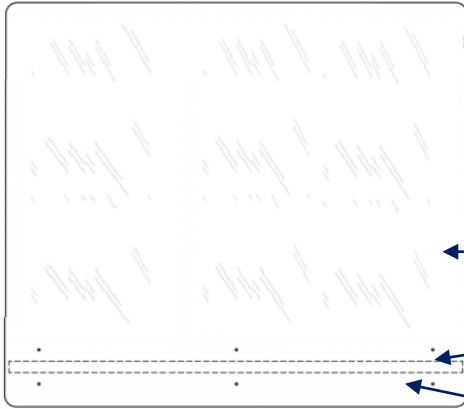


72" HIGH CLEAR ACRYLIC FREESTANDING SAFETY SHIELD PARTITION
 24" WIDE....\$216 30" WIDE....\$255 36" WIDE....\$295 48" WIDE.....\$375



PROTECTIVE SAFETY SHIELDS & PARTITIONS

SURFACE MOUNT SAFETY SHIELDS



36" HIGH CLEAR ACRYLIC SURFACE MOUNT SAFETY SHIELD

WITH ROUNDED CORNERS

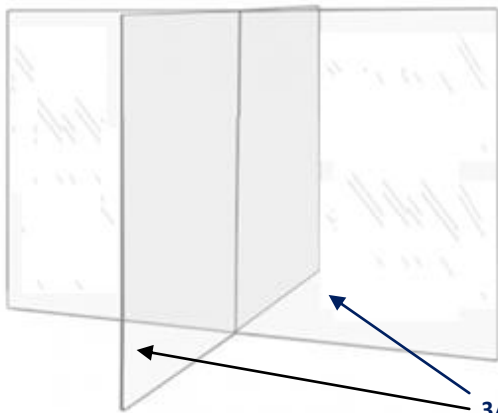
24" WIDE....\$ 89 36" WIDE.....\$119 40" WIDE....129 48" WIDE....\$149

← 3/16" CLEAR ACRYLIC SAFETY SHIELD

← ALUMINUM PANEL REINFORCEMENT STRIP

← MOUNTING HOLES FOR SURFACE MOUNTING TO FRONT OF COUNTER

TABLE TOP SAFETY DIVIDER SHIELDS



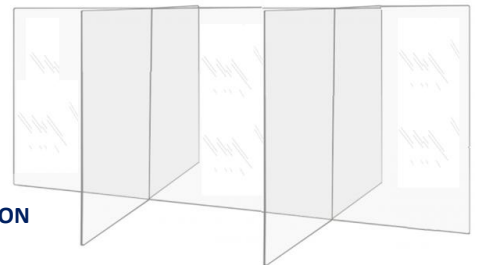
24" HIGH CLEAR OR FROSTED ACRYLIC TABLE TOP SAFETY DIVIDER SHIELD

WITH ROUNDED CORNERS

30" WIDE X 30" DEEP.....\$130 60" WIDE X 30" DEEP.....\$190

EXTENDED PARTITIONS FOR LARGER DESKS/TABLES AVAILABLE
CONNECTORS AVAILABLE TO SECURE DIVIDER SHIELDS TO TABLE TOP

← 3/16" CLEAR OR FROSTED ACRYLIC PARTITION



basselements

MADE IN AMERICA

Bass Elements, LLC

6966 N.W.12TH STREET MIAMI, FL 33126

786-360-5863 sales@bassgds.com bassgds.com